

TMAX-1770-XXX-M M - P I c

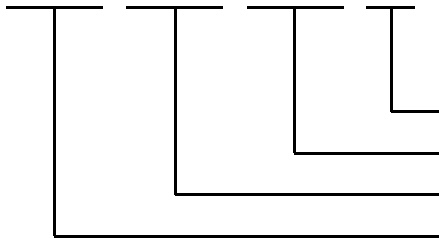
Features

-
-
-
-
-
-

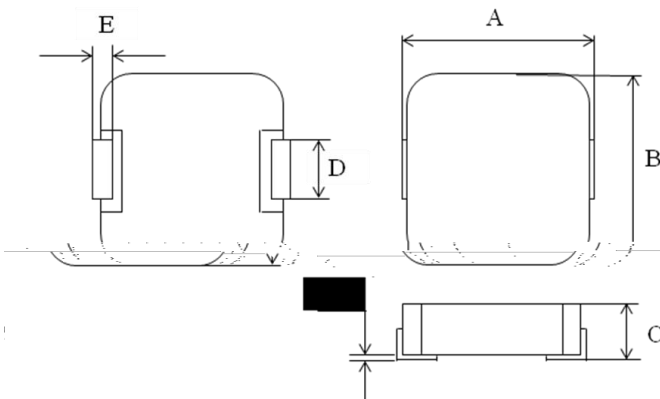
Applications

-
-
-
-
-
-

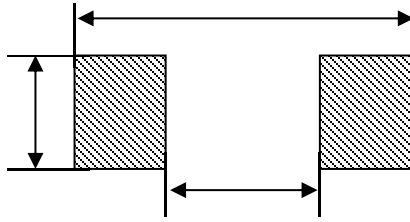
Product Description



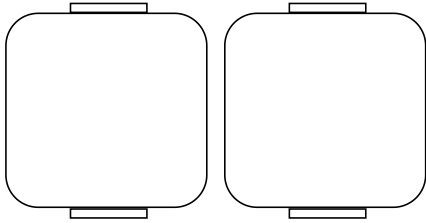
Dimensions



	17.5 Max.
	17.15 Max.
	7.0 Max.
	11.8±0.3
	2.5±0.5
	0~0.30

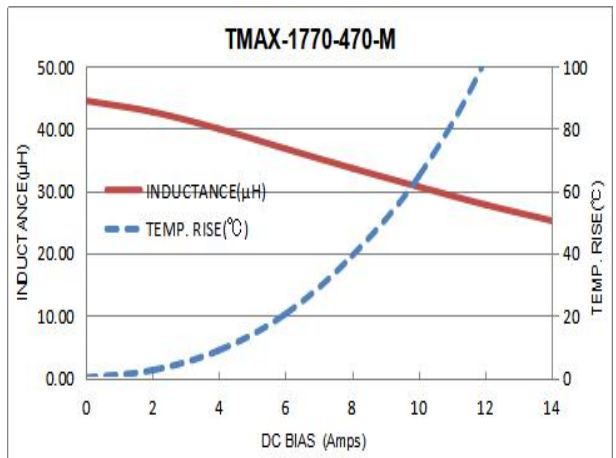
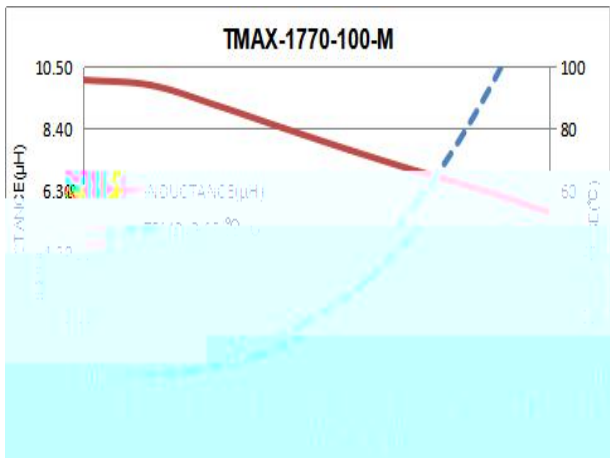
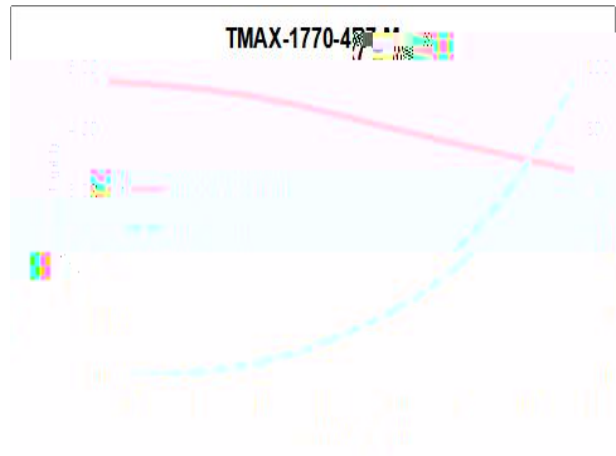
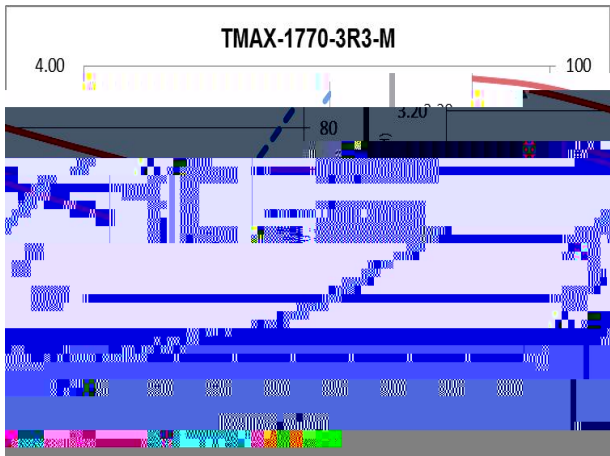
Recommend Land Pattern Dimensions**Marking**

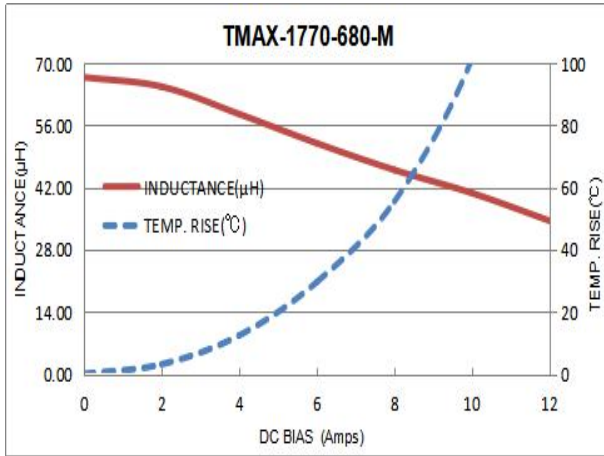
-
-



Notes:

Inductance and Temperature Rise vs. DC Current





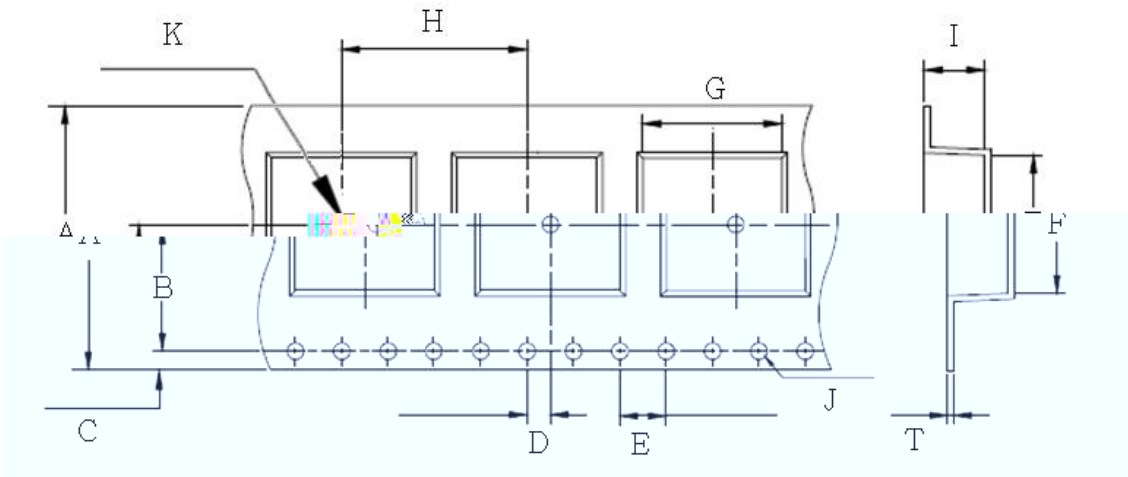
Reliability:

Item	Test Method	Specification and Requirement
	± ± ±	
		±

Reliability:

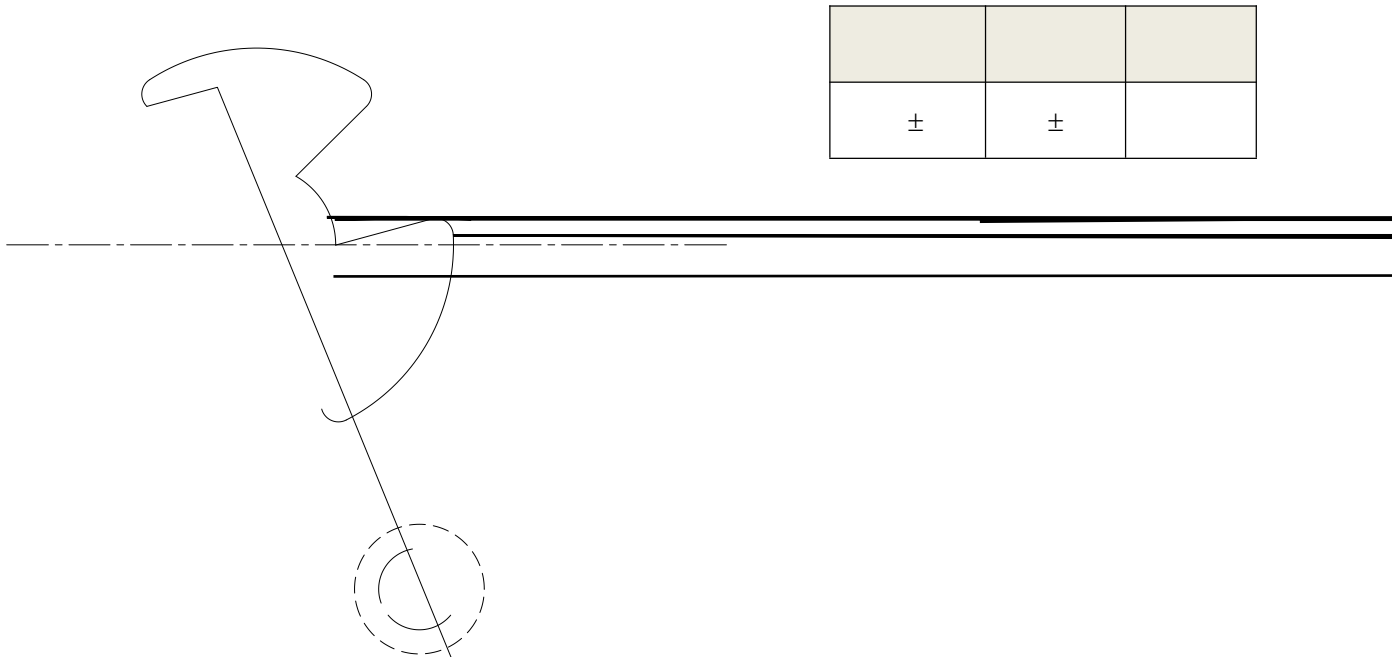
Item	Test Method	Specification and Requirement
	\pm \pm \rightarrow \rightarrow \pm \pm \rightarrow	
	\pm	\pm
	\pm	
	\pm	
	\pm	

Packaging Dimensions



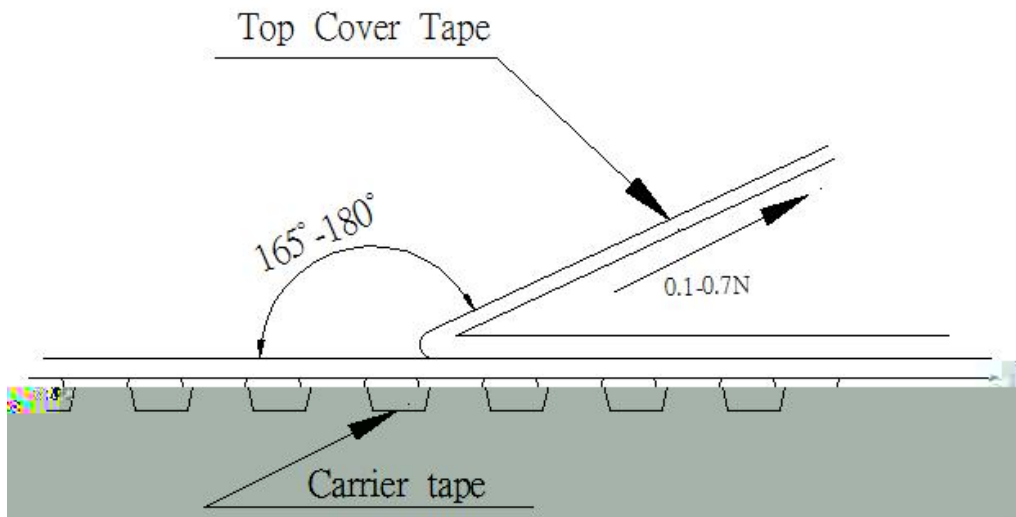
±	±	±	±	±	±
±	±	±	±	±	±

Reel Dimensions



Peeling of top cover tape

-
-



NUMBERS OF COMPILATIONS
Label marking

-
-

Production Label

Shipping Label

- ✓
- ✓
- ✓
- ✓
- ✓

- ✓
- ✓
- ✓
- ✓
- ✓

Caution note for use

- Storage Condition
- Use Temperature
- ✓
- ✓
- ✓
- ✓

Large stylized letters 'M', 'N', 'P', 'R' with various annotations and symbols overlaid.

Vertical bar

Care note for Safety

➤

➤

➤

➤

➤

➤

➤