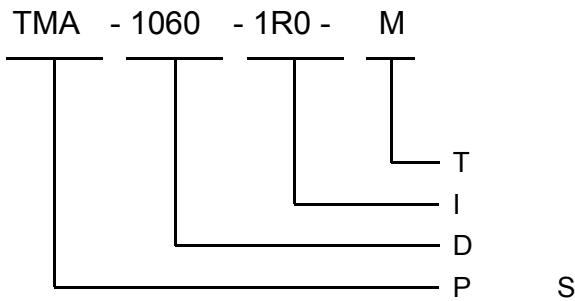


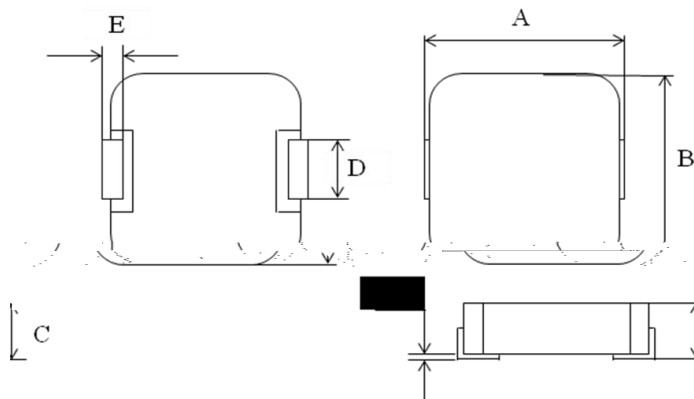
	A0	I TMA -1060-R68-M	2018/03/06	H	Roger

- L
- L DCR
- H
- H (I)
- R HS H F
- L EMI

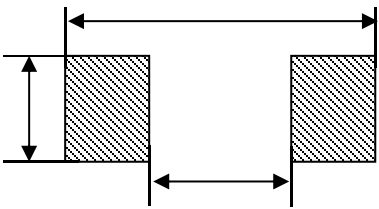
- [REDACTED] M
- DC/DC
- T -
- G
- L PC
- SSD



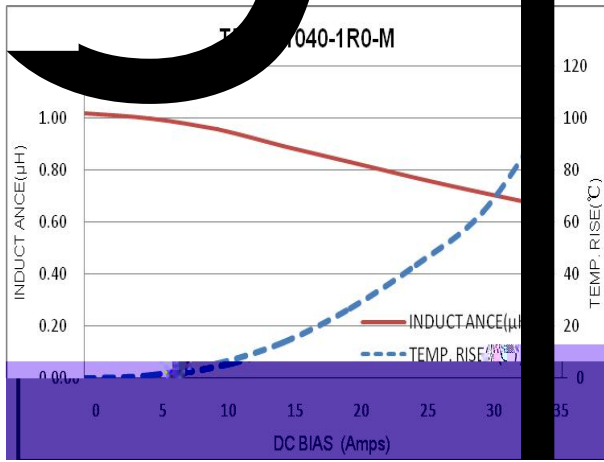
M= 20%
1R0=1.0 H



A	
B	
C	
D	
E	
F	



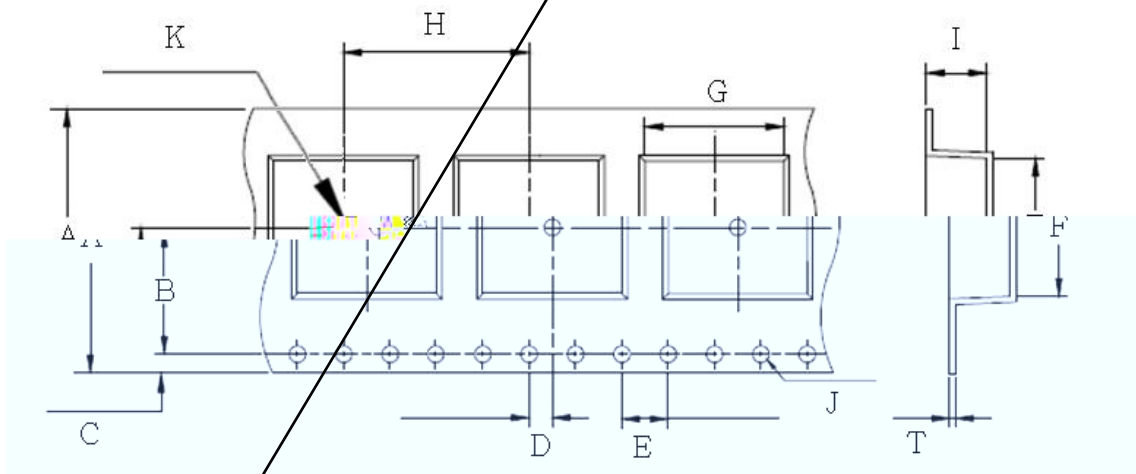
- T 6-
- F : 1R0 1.0 H, R10 0.1 H.



S : T
 1.P : 160 ± 10 C 90
 2.R : 245 ± 5 2 ± 95%
 0.5

1. :
 (10H 55H 10H) 60
 0

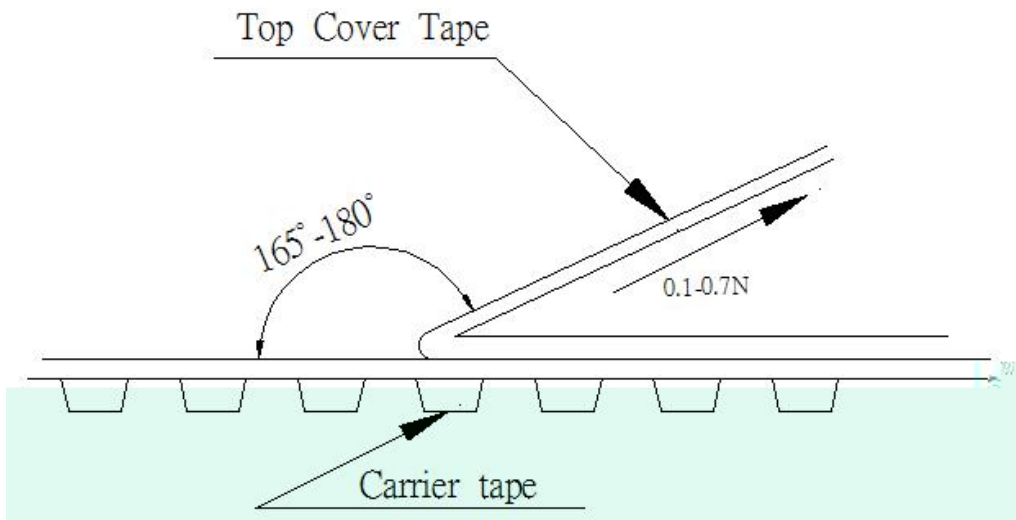
T S	<p>1.R 100 : $(-55 \pm 2 C, 30 \pm 3) \rightarrow (R, 5) \rightarrow (+125 \pm 2 C, 30 \pm 3) \rightarrow$ $(R, 5)$ 2.R : $48 + 4 / - 0$</p>	
H T R	<p>1.E T : $85 \pm 2 C$ 2.A C : R 3.D : $1,000 + 4 / - 0$</p>	L/L ₀ ± 5%
H R	<p>1.E T : $60 \pm 2 C$ 2.R H : 90 95% 3.D : $1,000 + 4 / - 0$</p>	N
L T S	<p>1.S : $-55 \pm 2 C$ $1,000 + 4 / - 0$</p>	
H T S	<p>1.S : $+125 \pm 2 C$ $1,000 + 4 / - 0$</p>	

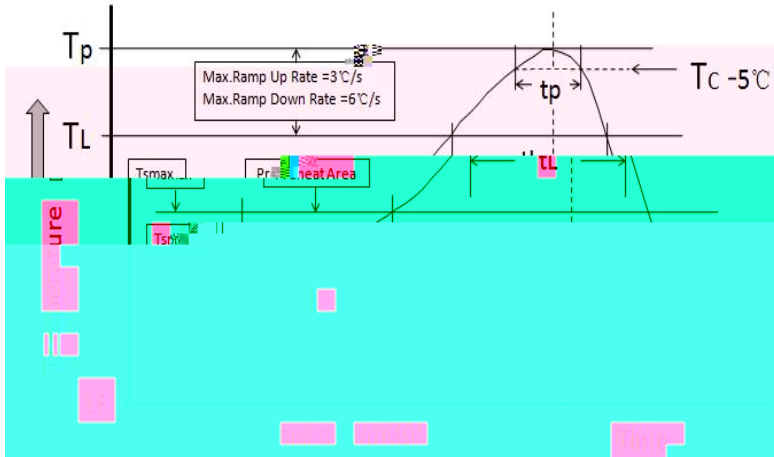


G	F	I	T	H	A
10.7 ± 0.1	12.0 ± 0.1	6.5 ± 0.1	0.35 ± 0.05	16.0 ± 0.1	24.0 ± 0.3
J	K	D	E	B	C
1.50 ± 0.1	1.50 ± 0.1	2.0 ± 0.1	4.0 ± 0.1	11.5 ± 0.1	1.75 ± 0.1

A	B	C
24.5 ± 0.2	2.0 ± 0.2	B

- T 300 / .
- T 0.1 0.7 N.





2.5	235	220
2.5	220	220

1.6	260	260	260
1.6-2.5	260	250	245
>2.5	250	245	245

P	S	T (T)	100	150
		T (T)	150	200
		T ():T T	60-120 S	60-120 S
A		TL T	3 /S M .	3 /S M .
L		(TL)	183	183
T		(L)	60-150 S	60-150 S
P		(T)*	T 1	T 2
T		()** 5	20 **	30 **
		(T)		
A		T TL	6 /S M .	6 /S M .
T	25	P T	6 M M .	8 M M .

*T (T)

** T ()

● 500 /

● T

● L

✓ P N .
✓ D
✓ Q
✓ P N .
✓ T N .

✓ C
✓ C
✓ M
✓ M
✓ M

N
P N .
P N .
N
C

➤ :T 25 35 C, H 45 75% RH

➤ :
✓ M T : -55 CA
✓ M T : +125 CT

✓ T -55 C +125 C
✓ H , UL.

➤ :
,

➤ :I (, .).

➤ P A C
T

, - - , .T ,
, ,

/ , , .

➤ T R
T

.I

➤ D S
D

➤
T

➤ P
I

.P

➤ D
P

➤ N
T

(, ,) ..TDG H C .,L .

.I ,