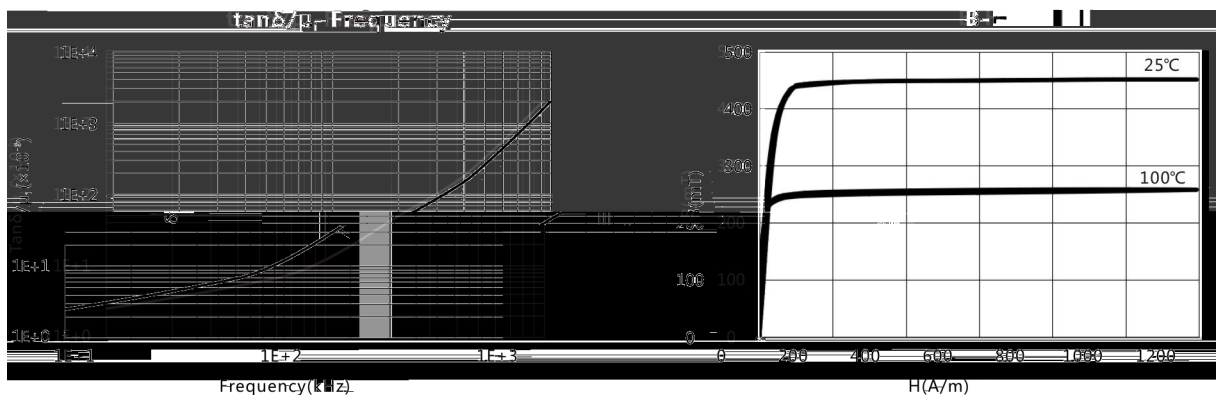
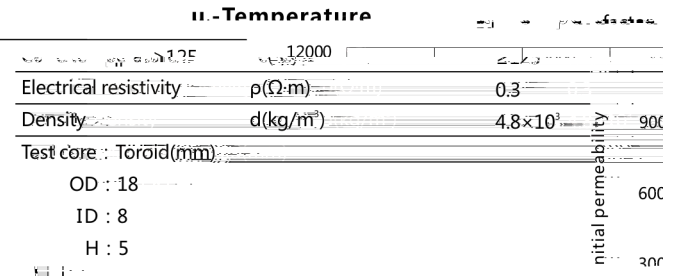
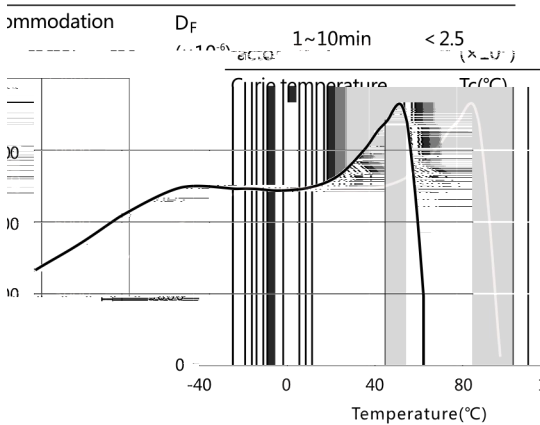
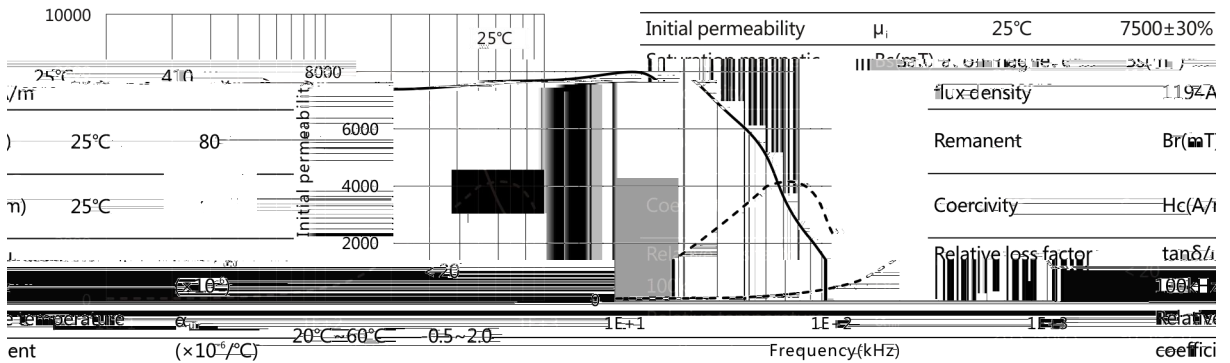


TS7

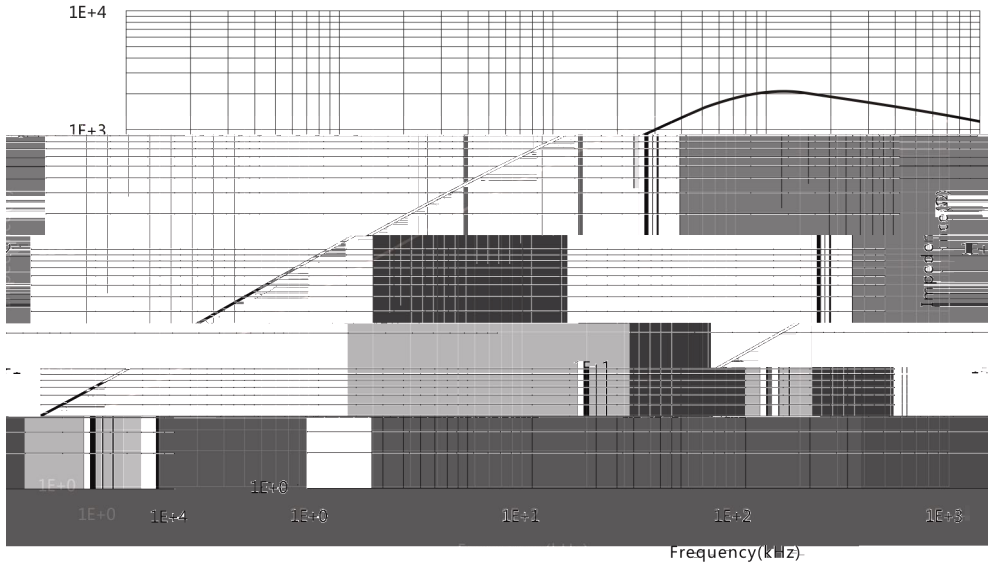
μ' (μ'')-Frequency



TS7

Z-Frequency

N=10TS, Φ 0.35mm, T=25°C



Bs-Temperature

H=1194A/m

